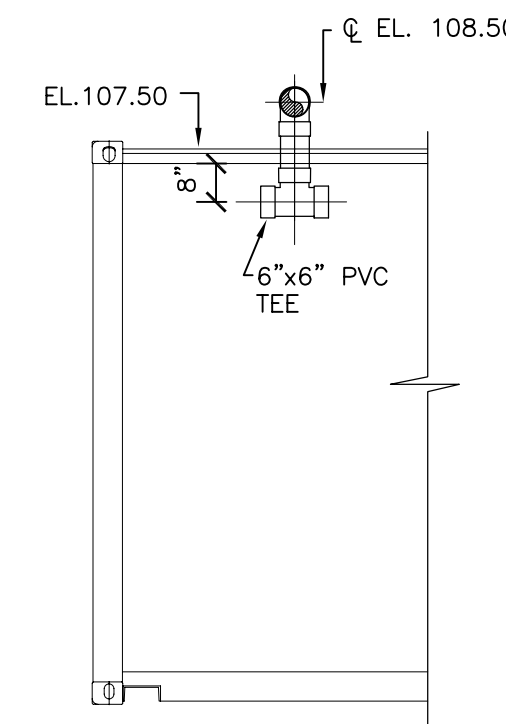
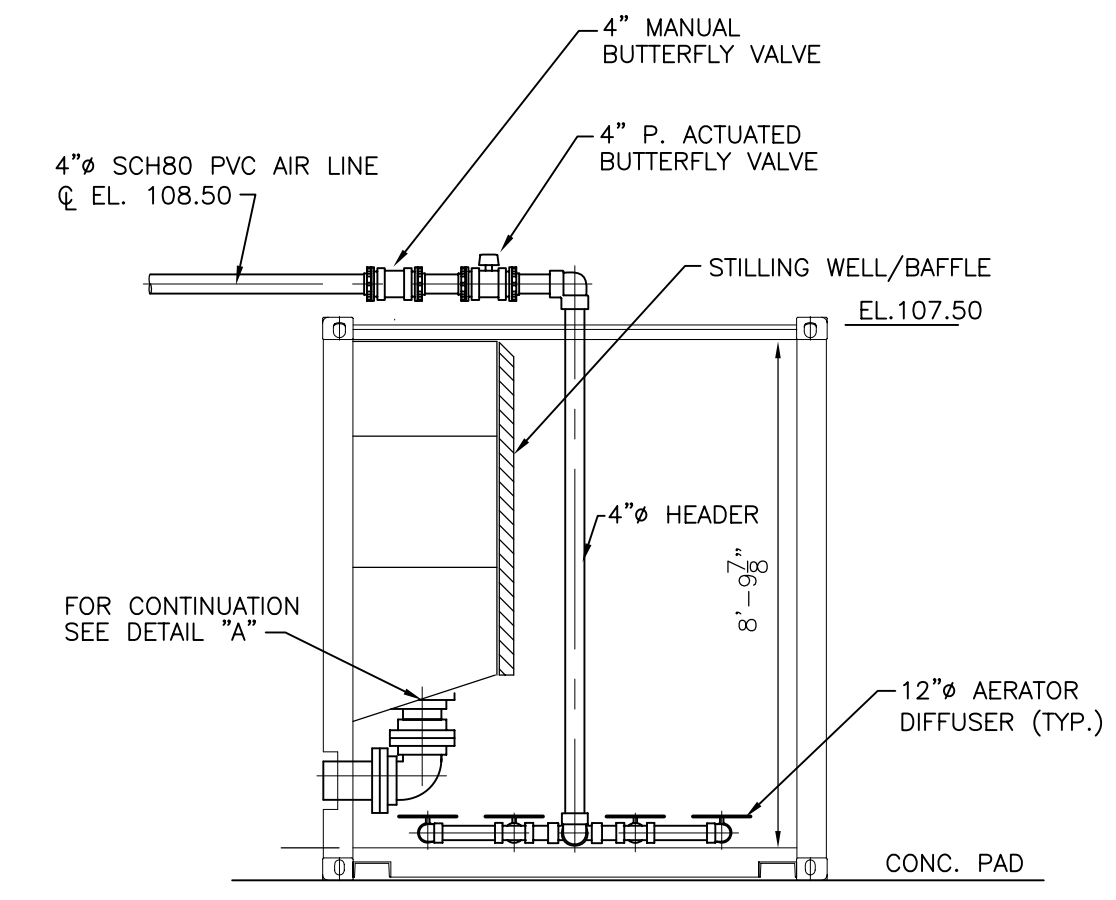


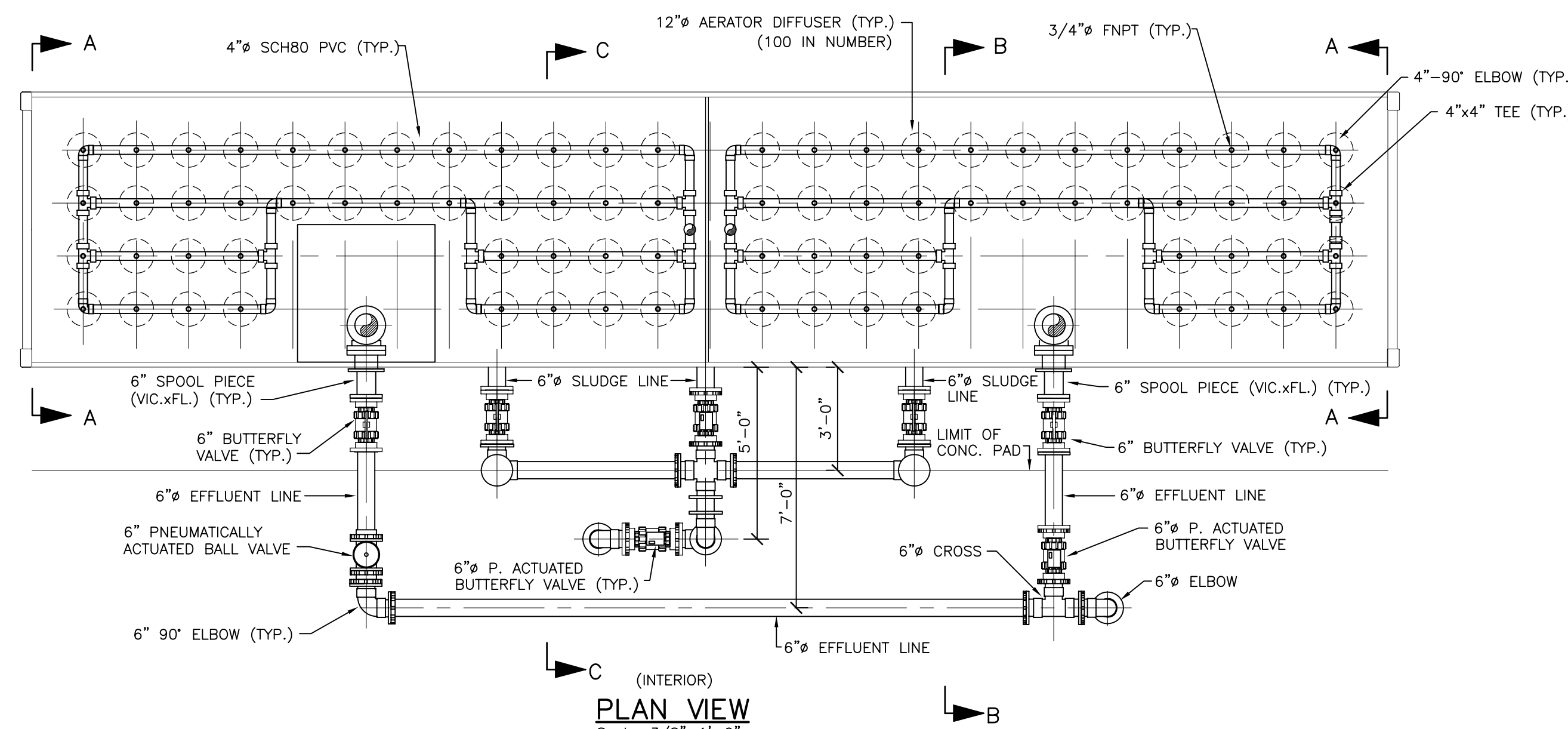
SIDE VIEW
Scale: 3/8"=1'-0"



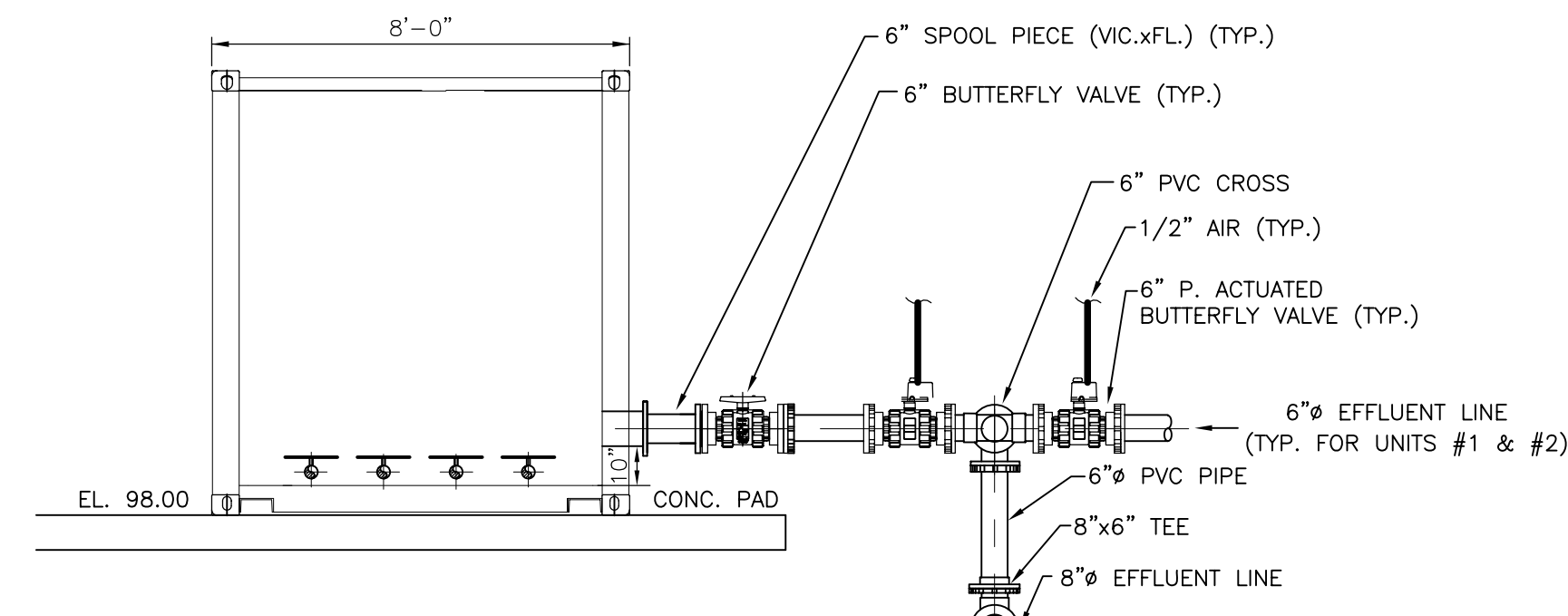
SECTION D-D
Scale: 3/8"=1'-0"



SECTION A-A
Scale: 3/8"=1'-0"

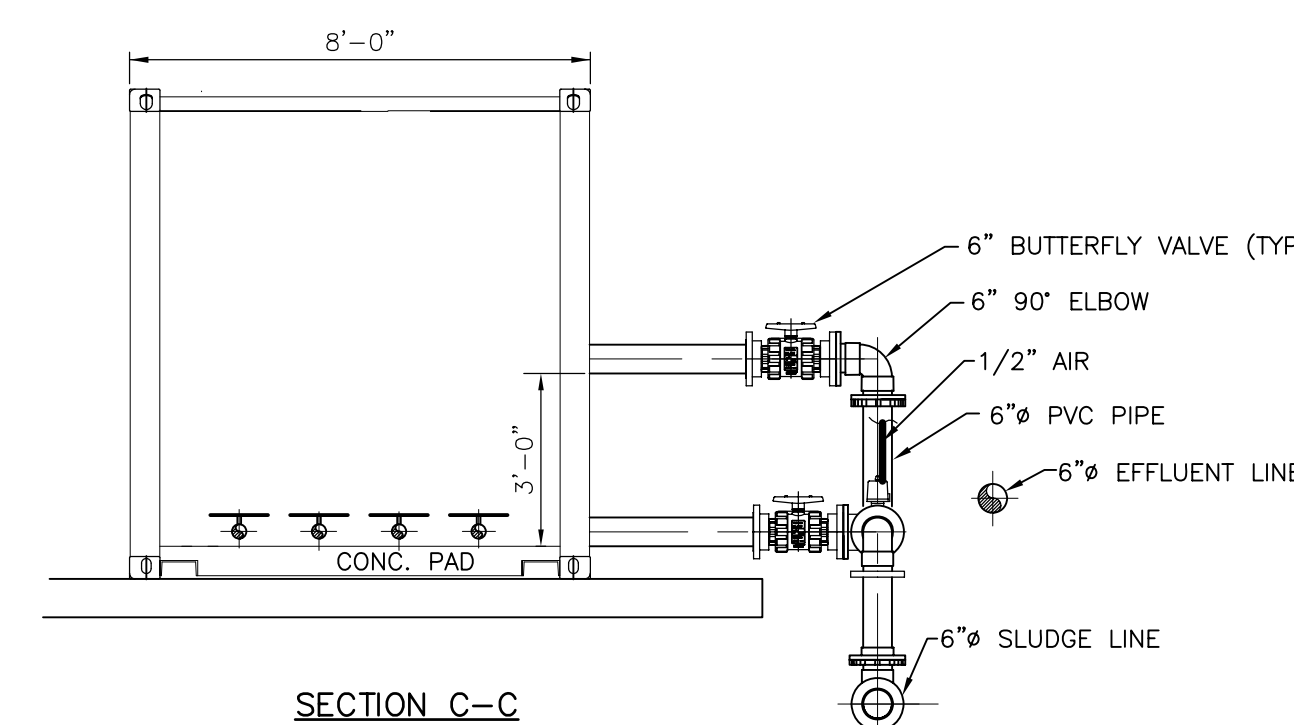


PLAN VIEW
Scale: 3/8"=1'-0"
(TYPICAL FOR UNITS #3 & #4)

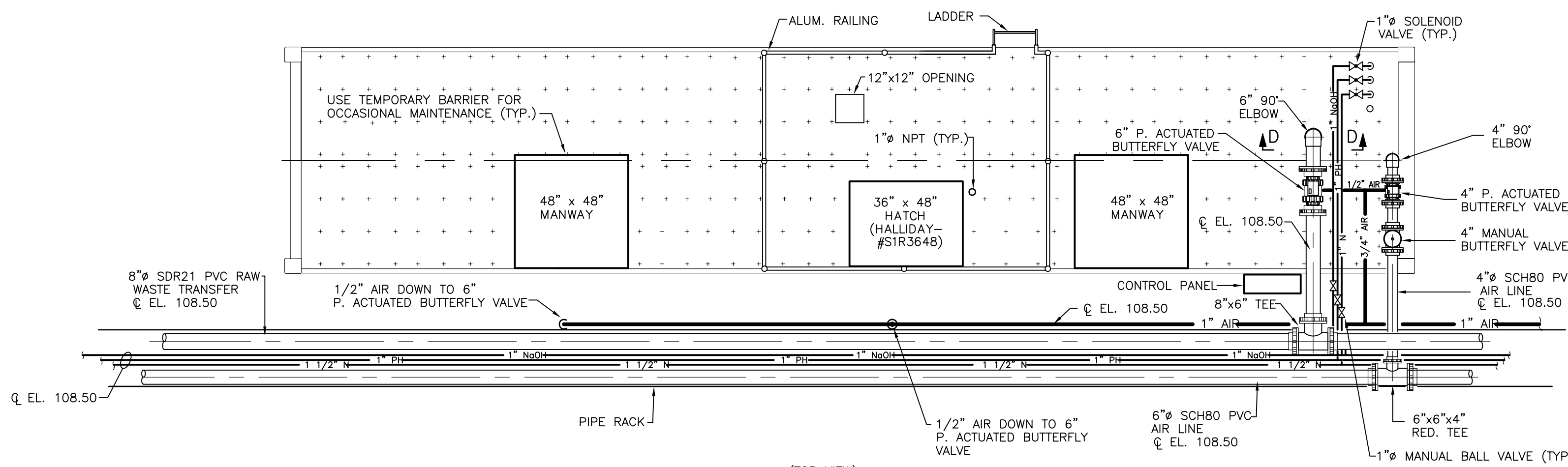


SECTION B-B
TYP. EFFLUENT PIPE CONFIGURATION
Scale: 3/8"=1'-0"

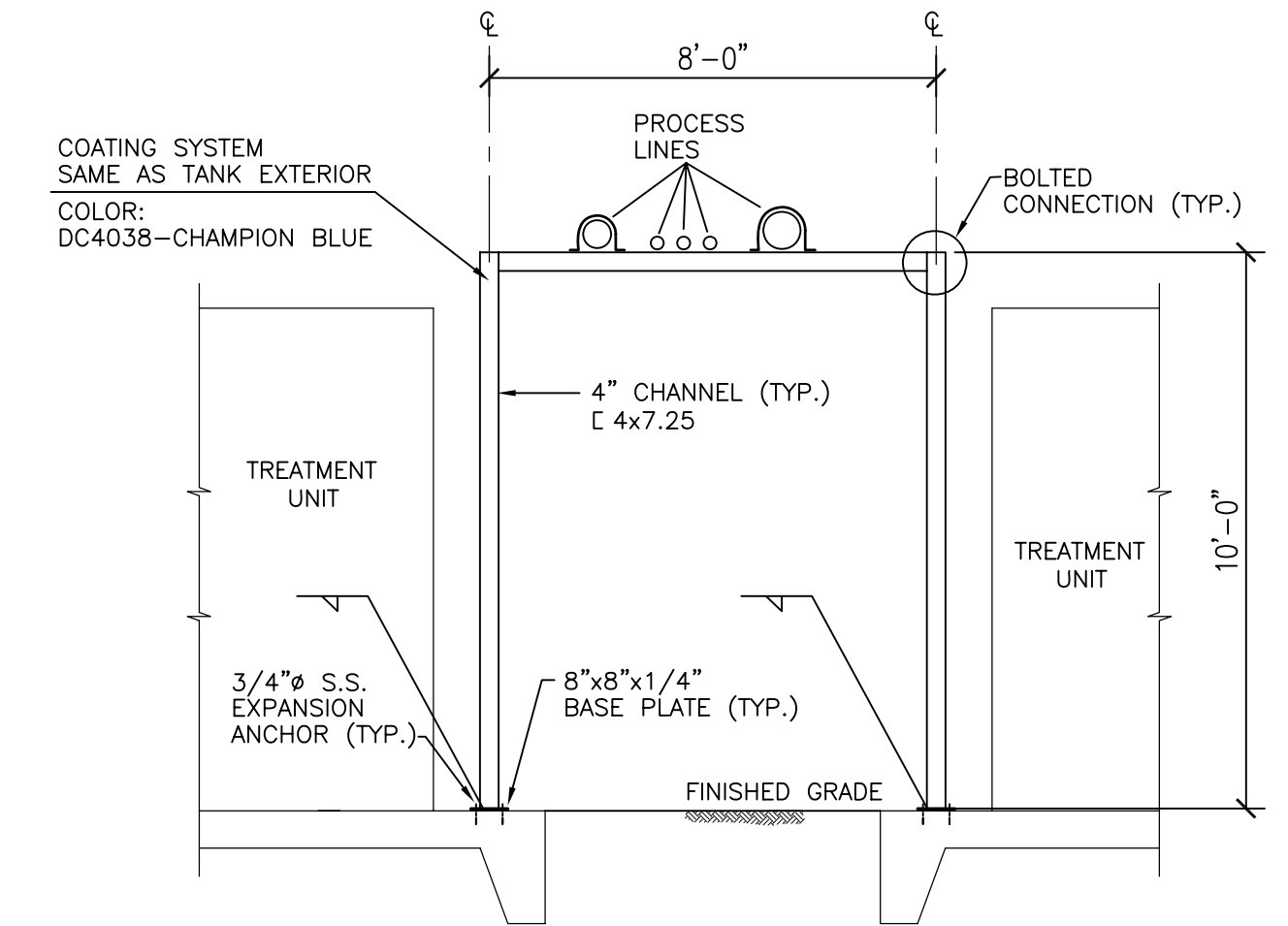
- NOTES:
 COATING SYSTEM: DEVCOE COATING SYSTEM
 TANK INTERIOR: SYSTEM DC7
 PRIMER: DEVTAR 5A HIGH BUILD EPOXY
 SP-10 SURFACE PREPARATION
 6-8 MILS DFT PER COAT
 SEMI-GLOSS FINISH
 FINISH: SAME AS ABOVE
 12-16 MILS DFT TOTAL THICKNESS
 TANK EXTERIOR: SYSTEM DC5 (DC4038 - CHAMPION BLUE)
 SEALER: PRE-PRIME 167
 SP2 SURFACE PREPARATION
 1 MIL DFT/COAT
 1 MIL DFT TOTAL THICKNESS
 SEMI-GLOSS FINISH
 INTERMEDIATE COAT: DEVRAN 224 HS HIGH BUILD EPOXY
 4-6 MIL DFT/COAT
 4-6 MIL DFT TOTAL THICKNESS
 SEMI-GLOSS FINISH
 FINISH: DEVTHANE 379 UVA ALIPHATIC URETHANE
 2-3 MILS DFT/COAT
 2-3 MILS DFT TOTAL THICKNESS
 GLOSS FINISH
 TOTAL SYSTEM THICKNESS: 7-10 MIL



SECTION C-C
TYP. SLUDGE PIPE CONFIGURATION
Scale: 3/8"=1'-0"



TYPICAL PIPE RACK CONFIGURATION PLAN
Scale: 3/8"=1'-0"
SEE SITE PLAN FOR PIPE LAYOUT
(TYPICAL FOR UNITS #3 & #4)



TYP. SECTION
PIPE RACK DETAIL
Scale: 3/8"=1'-0"